

SWIT®

S-2610/S-2620 Roll Flexible SMD LED Light

Ver:A

USER MANUAL

SWIT Electronics Co.,Ltd.

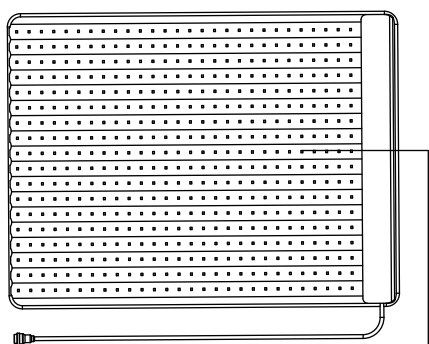
Tel:+86-25-85805753
Fax:+86-25-85805296
http://www.swit.cc
E-mail: contact@swit.cc

Congratulations on your purchase of this product. Please read this user manual carefully.

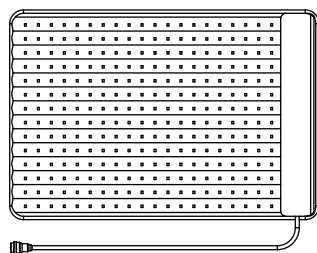
Feature

1. Using selected high brightness SMD LEDs with accurate color temperature and good color rendering.
2. Color temperature 3200K-5600K adjustable; brightness 0%-100% adjustable; Output light is uniform and stable.
3. 2.4 G wireless interaction control function.
4. Dual power supply mode: AC adaptor or lithium battery power supply.
5. Light weight, thin and soft, easy to bend, convenient for narrow space, high or far site; flexible for use.
6. Small package, light weight and portable.

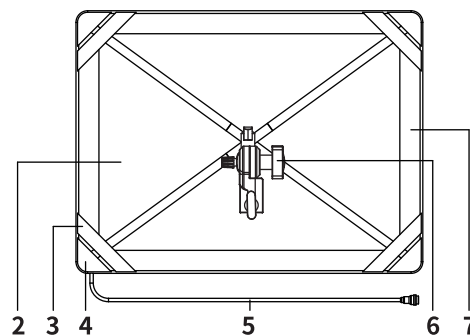
Appearance



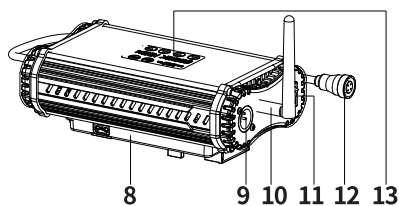
(Fig 1) S-2610 LED Part



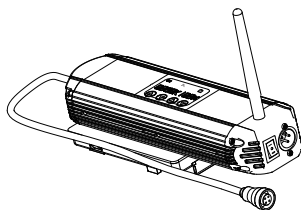
(Fig 3) S-2620 LED Part



(Fig 5) S-2610 / S-2620 Rear



(Fig 2) S-2610 Control box



(Fig 4) S-2620 Control box

- | | |
|---------------------------------|------------------------------|
| 1. LED light bar | 7. Velcro tape |
| 2. Light body | 8. V-mount battery plate |
| 3. Fixed button | 9. Power input interface |
| 4. Wrap angle | 10. Antenna |
| 5. Light input connection cable | 11. Power on/off |
| 6. X-frame | 12. Control box output cable |
| | 13. LCD |

Caution

1. Do not disassemble the light or touch the interior of the light with metal objects, so as not to cause damage;
2. Please avoid storing lights in dusty or humid environment to avoid damaging or affecting the usage;
3. Please avoid hard scratches in the light, so as not to affect the usage;
4. Use a clean cloth to wipe the surface of the light if there is slight oil stains and stains;
5. When using the 2.4 G wireless interaction control function, please make sure the antenna is perfectly installed.

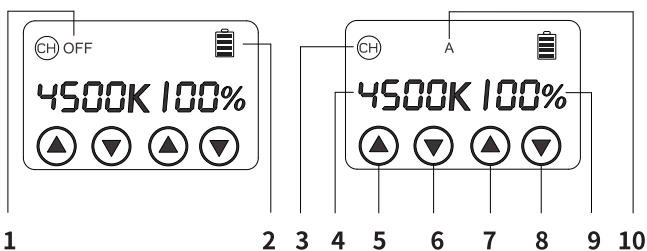
Specifications

For example: Color temperature: 4500K, brightness 100%

| | | |
|-------------------|--|---|
| Model | S-2610 | S-2620 |
| LED | 504pcs | 280pcs |
| Color Temperature | 3000K-5600K | |
| Brightness | 0%-100% | |
| Luminance | 2400 Lux/1m | 1200 Lux/1m |
| Beam Angle | 10°-360° | |
| CRI | ≥97 | |
| TLCI | ≥97 | |
| Input | 100W | 50W |
| Voltage | DC 11-17V/AC100-240V | |
| Dimensions | 600mm x 460mm | 455mm x 315mm |
| Weight | Light: 0.46Kg ControlBox:0.84Kg ACadaptor:0.43Kg | Light: 0.29Kg Control Box: 0.81Kg AC adaptor:0.29Kg |
| Standard Package | Power cable: x1, AC adaptor: x1, Control box: x1, X-Frame: x1, Antenna: x1, Carry case: x1 | |
| For Optional | Spread Soft box, Soft box(with honey comb), Soft box, Extension cord(4m, 6m, 8m, 10m) | |

LCD Display

For example: Color temperature: 4500K, brightness 100%



2.4 G wireless interaction control function is off

(Fig 6)

2.4 G wireless interaction control function is on

(Fig 7)

1. Wireless interaction control function off
2. Battery status
3. Wireless interaction control button
4. CT display
5. CT increase button
6. CT decrease button
7. Brightness increase button
8. Brightness decrease button
9. Brightness display
10. Current wireless interaction control channel

Usage

1. Install

1.1 Light body installation

The user selects the appropriate installation method based on the usage requirements:

- (1). The light is thin, soft and light weight so it can bend to use
- (2). Joint the light using the Velcro tape
- (3). Use the Velcro tape to fix the light on the back of the chair, car roof or other narrow and small places.
- (4). Use the X-frame to fix the light (Fig 5)

Note:

For clients who buy soft box and spread soft box, please install the X-frame to fix the light first (Fig 5), then fix the soft box and spread soft box using the Velcro tape.

1.2 Please reliably connect the control box output cable (Fig 2 No.12) with light input connection cable (Fig5 No.5)

Note:

For clients who buy extension cable, please connect the cable between control box output cable and light input connection cable.

2. Power Supply

- (1). Please keep the power switch to OFF
- (2). Power the light through battery or AC adaptor
 - When using V-mount battery to power the light, please switch to "—"
 - When using the AC adaptor, please switch to "=="

3. CT and brightness adjustment

Turn on the power switch and set the requirement color temperature and brightness value by control box

4. 2.4G wireless interaction control

The light has 2.4 G wireless interaction control function which can realize wireless mutual control among multiple lights. When using this feature, there is no principal and subordinate relationship among the lights. The brightness and color temperature of other lights can be adjusted by any light in the same group. The details are as follows:

- (1). Install the antenna;
- (2). Channel selection can be set according to the requirements through LCD touch screen "CH" from A, B, C and D channels;
- (3). Select one light to change the color temperature and brightness of other lights according to the lighting requirements.