

SWIT®

Rechargeable Li-ion Battery Pack

LB-SU75/98

Ver:A

USER MANUAL

SWIT Electronics Co.,Ltd.

Tel:+86-25-85805753
Fax:+86-25-85805296
http://www.swit.cc
E-mail: contact@swit.cc

Congratulations on your purchase of this product. Please read this user manual carefully.

Warning

Keep in mind the following precautions to avoid fire and other safety hazards!

- ◆ Do not use battery in fire or hot places to prevent overheating, cracking and other hazards.
- ◆ Please do not pierce the battery shell or try to open the shell and decompose the battery.
- ◆ Do not use battery beyond charge, discharge and storage environment temperature.
- ◆ Do not charge the battery in the car or in direct sunlight.
- ◆ Do not use damaged battery.
- ◆ Do not squeeze the battery shell which may cause physical damage.
- ◆ Make sure the power-consuming equipment(s) meet the battery specifications.
- ◆ Use SWIT charger or SWIT recommended charger to charge the battery to avoid overheating or break.
- ◆ Keep out of the reach of children.

Caution

- ◆ Fully charged battery will discharge naturally and please use it as soon as it gets charged.
- ◆ The battery may become warm in use or while being charged. This is normal.
- ◆ Never expose the battery to temperature above 60°C.
- ◆ Keep the battery terminals clean and never short-circuit the battery terminals.
- ◆ When stored for a long time, please keep the battery power capacity beyond 50%.
- ◆ Battery will automatically enter the sleep mode if rest in 10 days, the output will be shut off. Press the button to restore output.

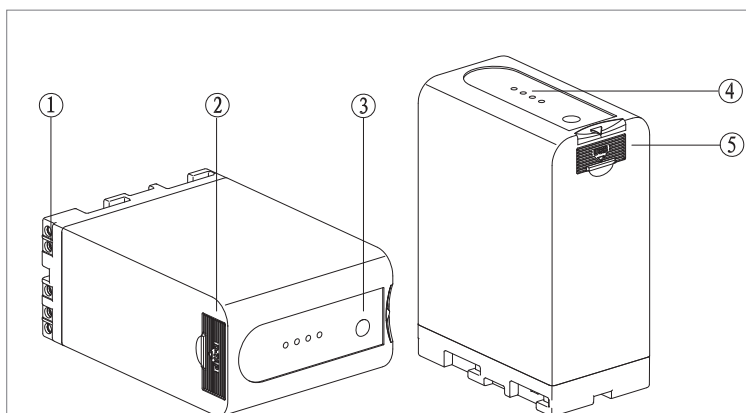
Features

- ◆ The battery pack is applicable with SONY PXW-Z280, PXW-FS7, PXW-X280.etc.
- ◆ 5V/2A USB output.
- ◆ D-tap DC output, to power the camera and other equipment simultaneously.
- ◆ 4-level LED power indicator to display the battery remaining capacity percentage and low-voltage alarm warning.
- ◆ High performance rechargeable lithium ion battery, no memory effect.
- ◆ Build-in multiple protective circuit design.

Charging

- ◆ The battery pack can be charged by SWIT LC-D421U via bottom terminals, or SWIT PC-U130B and SWIT PC-U130B2 via D-tap socket. Please pay attention to the positive and negative of the D-TAP socket. Do not reverse the connection.
- ◆ The battery can be charged at a temperature range of 0~40°C, but we recommend charging at a temperature range of 10~30°C to ensure the best performance of the battery.

Description of appearance



- ① Electrode interface
- ② D-TAP input/output socket
- ③ Power check button/USB output button
- ④ 4-level LED power indicators
- ⑤ USB output socket

Discharging

- ◆ The battery can discharge at a temperature range of -20°C~50°C, but it is suggested to discharge at a temperature range of -10°C~40°C for the best performance of the battery.
- ◆ Four LEDs show the battery remaining capacity (25%, 50%, 75%, and 100%), when the battery lasts less than 15 minutes on the equipment, 25% LED indicator will flash red to alert, and please change battery asap.
- ◆ Close the rubber cover to keep the socket away from dust.

Specification

Model	LB-SU98	LB-SU75	
Capacity	98Wh, 6800mAh	75Wh, 5200mAh	
Net weight	464g	430g	
Nominal Voltage	14.4V	14.4V	
Max Output	Pins	70W/6A	50W/4A
	D-TAP	70W/6A	50W/4A
	USB	10W, 5V / 2A	10W, 5V / 2A
	Total	70W/6A	50W/4A
Dimension	70×42×96mm		
Max charging current	3A		
Charging temperature	0°C~40°C (10°C~30°C recommended)		
Discharging temperature	-20°C~50°C (-10°C~40°C recommended)		
Storage	-20°C~50°C		