

NDI® EFP

Multi-Camera System



* NDI® is a registered trademark of Vizrt Group.

Intercom TALLY Return Video 4K NDI

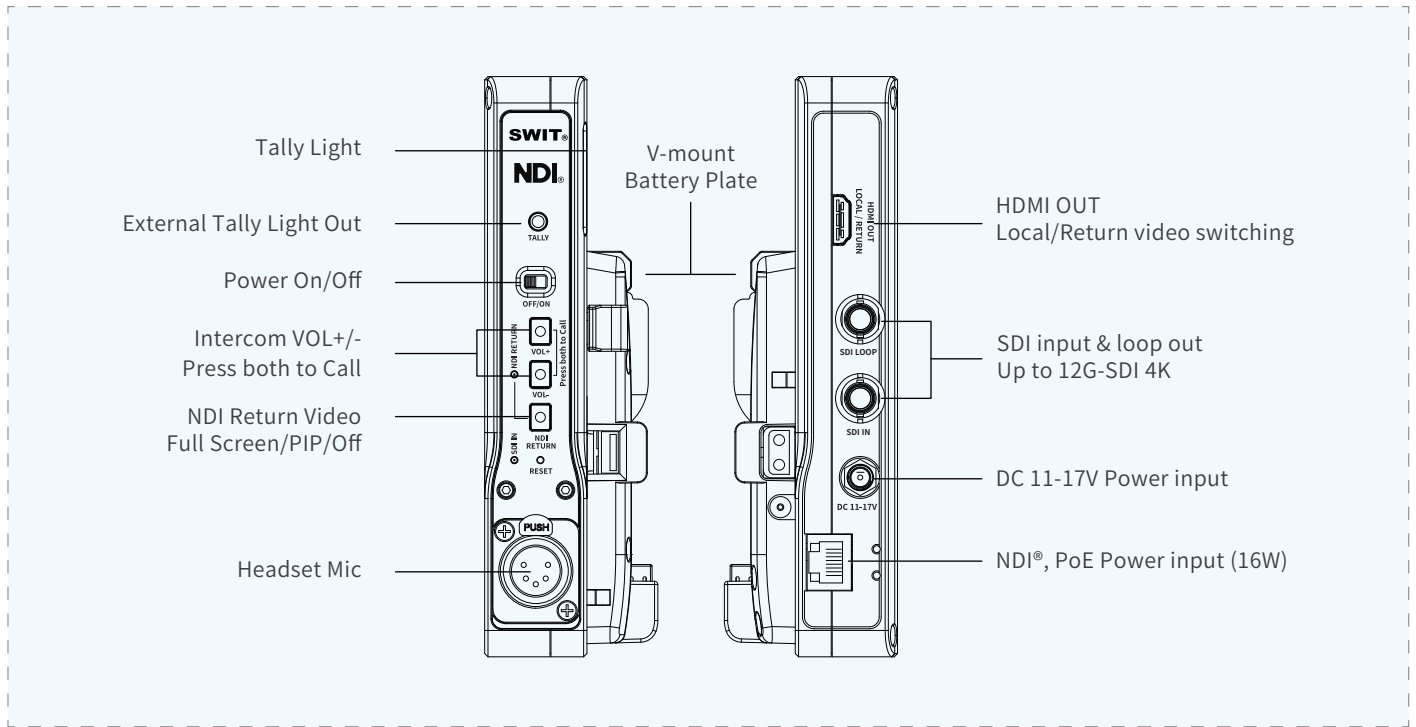
SWIT®



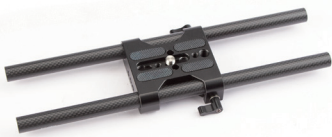
EC-N200 / EC-N200-4K

NDI® Codec Camera Adaptor

- ◆ Encode camera SDI to high bandwidth NDI®
- ◆ EC-N200 supports up to 3G-SDI and HD NDI® (150Mbps)
- ◆ EC-N200-4K supports up to 12G-SDI and 4K NDI® (250Mbps)
- ◆ Decode PGM NDI® source to HDMI output
- ◆ Switch local video and PGM return video in HDMI output
- ◆ Intercom communication with ET-N80 control panel
- ◆ Intercom mute, call, headphone connector
- ◆ Internal TALLY light and support external TALLY output
- ◆ DC 11-17V 1.5A and V-mount battery power input
- ◆ Support 42-57V 0.5A PoE power input
- ◆ 15mm rod rail system to install with any ENG cameras
- ◆ Webserver network configuration and firmware update



Standard Accessories



15mm rod system to install between camera and tripod



The clamp to install camera adaptor EC-N200-4K onto 15mm rod system



External TALLY light with 3.5mm cable



Headset Mic with 5-pin XLR cable



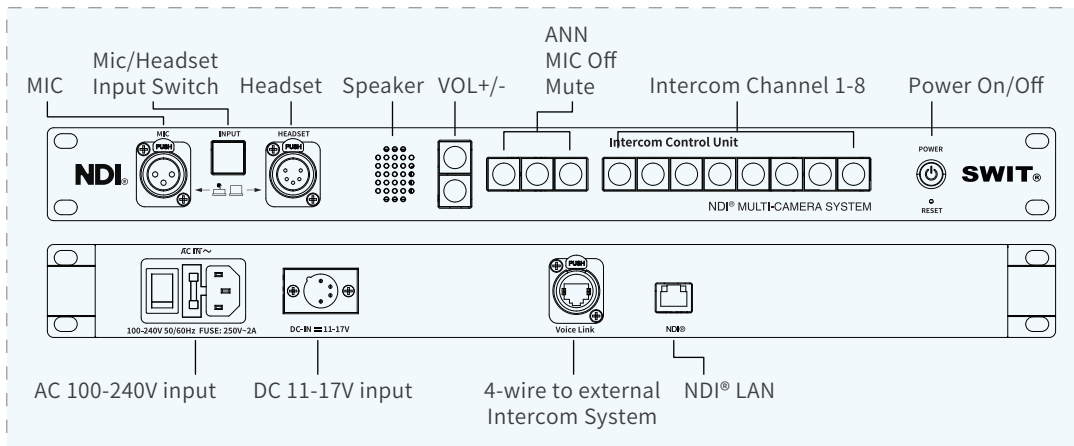
The clamp to fix RJ45 network cable

ET-N80

NDI® System Intercom Control Panel



- LAN connection full duplex intercom with cameramen
- Bind with both EC-N200 and EC-N200-4K camera adaptors
- Select intercom channels or ANN announcement mode
- Headphone and swan neck mic connectors
- 4-wire to connect 3rd party intercom system
- Webserver network configuration and firmware update
- 19-inch 1RU rack mount



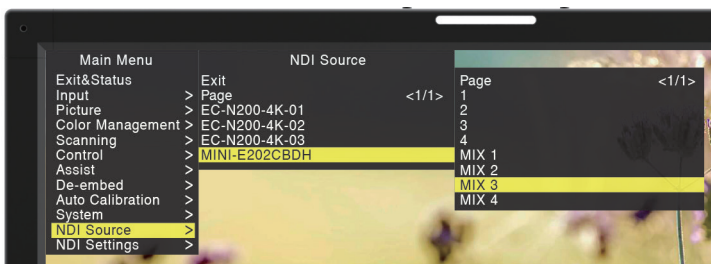
Standard Accessories



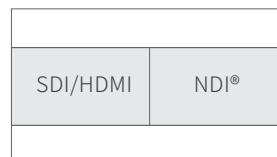
BM-215-NDI / BM-245-NDI

21.5" / 23.8" QLED Panel Professional NDI® Monitor

- 21.5 / 23.8 inches 1920×1080 QLED Panel
- 100% DCI-P3 wide color gamut, VICO 1.97 Eye Protect
- High bandwidth 4K NDI®, 3GSDI and HDMI2.0 input
- NDI® decode to 3GSDI output
- NDI®/SDI/HDMI PBP or PIP view
- Auto detect and quick select NDI® sources
- NDI® Discovery Server, NDI® Low bandwidth mode
- 3DLut Auto Self-calibration without PC
- Waveform / Vector / Histogram / False color / Zebra
- 16-ch audio meters / Lissajous pattern
- IP webserver remote control



Discover and Select NDI® sources in monitor menu



SDI/HDMI and NDI®
Pic-by-Pic display mode

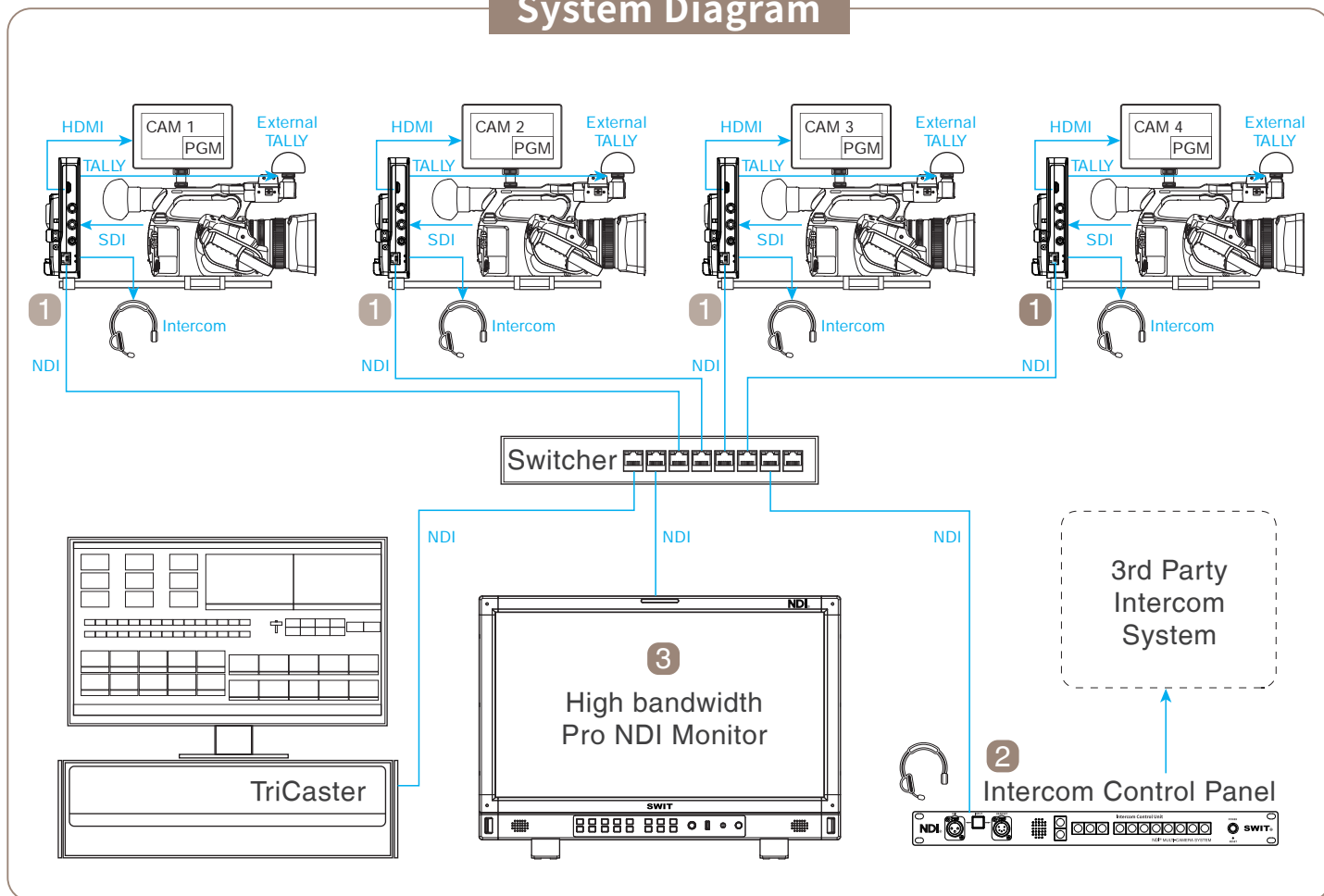


SDI/HDMI and NDI®
Pic-in-Pic display mode

Build a Pure NDI® Based Flexible Multi-Camera Production System



System Diagram

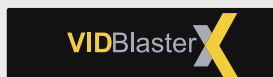


1 EC-N200/EC-N200-4K
NDI® Codec Camera Adaptor

2 ET-N80
8-ch NDI® Intercom Control Panel

3 BM-215-NDI / BM-245-NDI
21.5" / 23.8" Professional NDI® Monitor

Compatible NDI® Production Platform



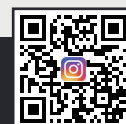
SWIT Electronics Co., Ltd.
+86-25-85805753
<http://www.swit.cc>
Email: contact@swit.cc

SWIT Electronics America, Inc
1-(408)260-8258
<http://www.switusa.com>
Email: info@swit.us

SWIT Electronics Europe GmbH
+49(0)2131 6632331
<http://www.switeu.com>
Email: info@swit-europe.com



Facebook Page



Instagram



LinkedIn