

**SWIT®****MONET-400/MONET-700**

RGBWW Direct-lit Full-Color Panel Light

Ver:B

**75**  
ANIVERSARIO **Moncada**

DISTRIBUIDOR AUTORIZADO

info@moncadaylorenzo.es 915 479 709 www.moncadaylorenzo.es

# USER MANUAL

**SWIT Electronics Co.,Ltd.**

Thank you for choosing our product. Please read this manual thoroughly before use and keep it for future reference.

## Technical Specifications

Model		MONET-400	MONET-700
Number of LEDs		RGB 3-in-1 LEDs (392 pcs) + Warm White LEDs (392 pcs) + Cool White LEDs (392 pcs)	RGB 3-in-1 LEDs (784 pcs) + Warm White LEDs (784 pcs) + Cool White LEDs (784 pcs)
White Light	Color Temperature	2800K-10000K, adjustable in 50K steps	
	Brightness	0%-100%, adjustable in 0.1% steps	
	Central Illuminance	11500lux@1m 3100lux@2m 1500lux@3m 900lux@4m 500lux@5m	20000Lux@1m 5700lux@2m 2700lux@3m 1600lux@4m 1100lux@5m
	CRI	≥95	
	TLCI	≥95	
	SSI(D55)	75	
	Rg	106	
	Rf	96	
Color Light		Full RGB + White gamut, hue, saturation control	
Green-Magenta Adjustment		Continuously adjustable (-1.00 to +1.00, in 0.01 steps)	
Half-Peak Beam Angle		Approximately 65°	
Operating Modes		CCT, HSI, RGB, CIE, GEL, EFF, DMX, SYS, Network	
Control Methods		Onboard Control, DMX, APP, Art-Net	
Software Interface		USB: Upgrade software via USB flash drive (file system "FAT" or "FAT32")	
Power	Operating Voltage	AC 100-240V, 50/60Hz ; DC-48V	
	Total Power Consumption	Approximately 400W	Approximately 700W
Dimensions	Light-emitting Surface (L x W)	298.85mm x 314mm	583.4mm x 316mm
	Overall Lamp (L x W x H)	See attachment	
Weight		7.8Kg (bare lamp)	15.2Kg(bare lamp)

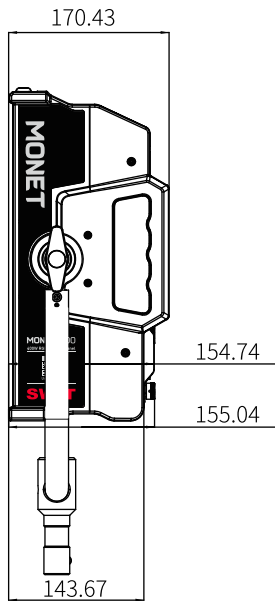


Figure 1: Monet-400 Side View Dimensions

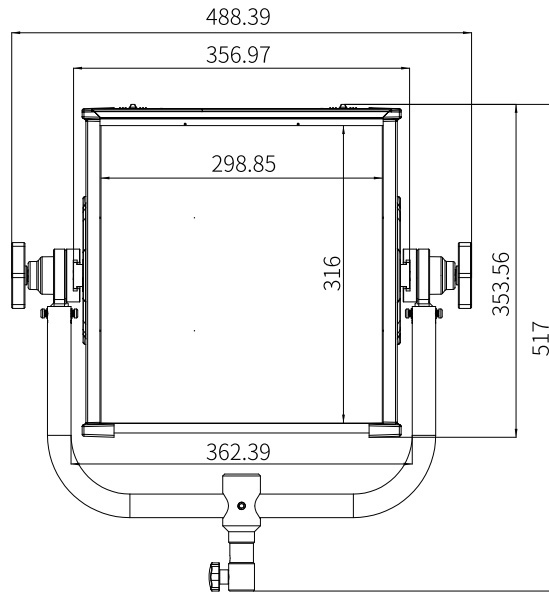


Figure 2: Monet-400 Front View Dimensions

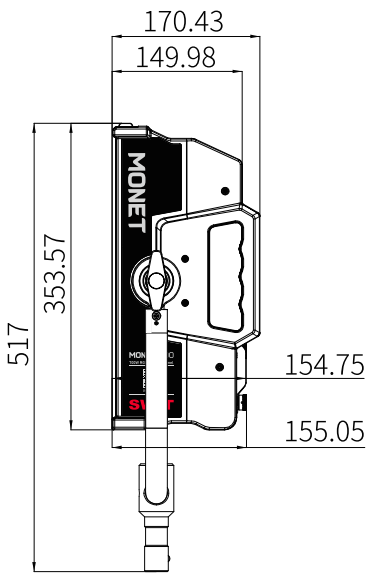


Figure 3: Monet-700 Side View Dimensions

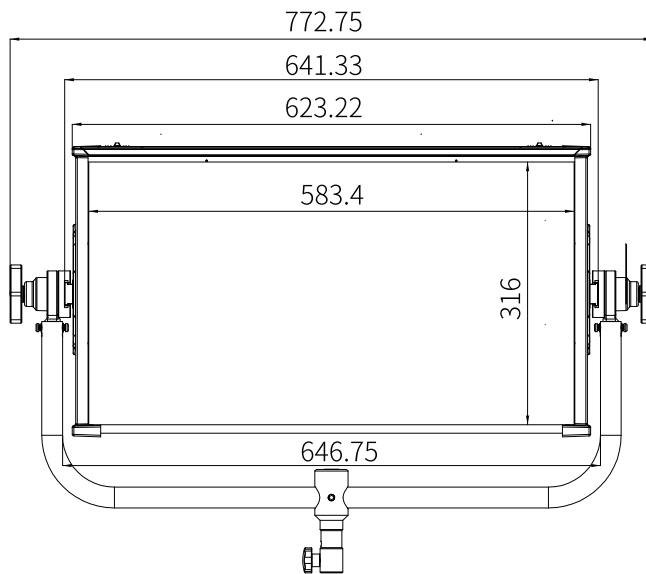


Figure 4: Monet-700 Front View Dimensions

## Precautions

1. Do not disassemble the lamp or touch internal components with metal objects to avoid damage.
2. Avoid storing the lamp in dusty or humid environments to prevent damage.
3. Use this product only within a temperature range of -10°C to 40°C.

## Cleaning

1. Use a soft, dry cloth to clean the diffusion panel. If necessary, you can use a soft cloth slightly moistened with a neutral detergent solution, but be sure to wipe it dry with a soft, dry cloth afterwards.
2. Do not use a wet cloth, anhydrous alcohol, gasoline, or a mixture of anhydrous alcohol and ether to clean the front panel, as it may damage the diffusion panel.

## Appearance

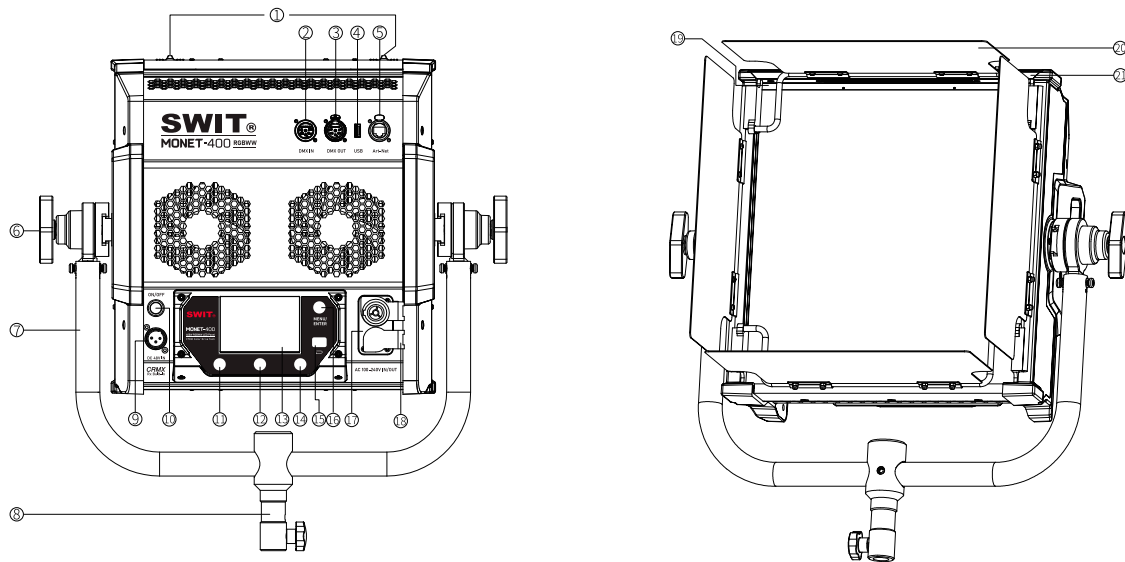


Figure 5: Monet-400 Diagram

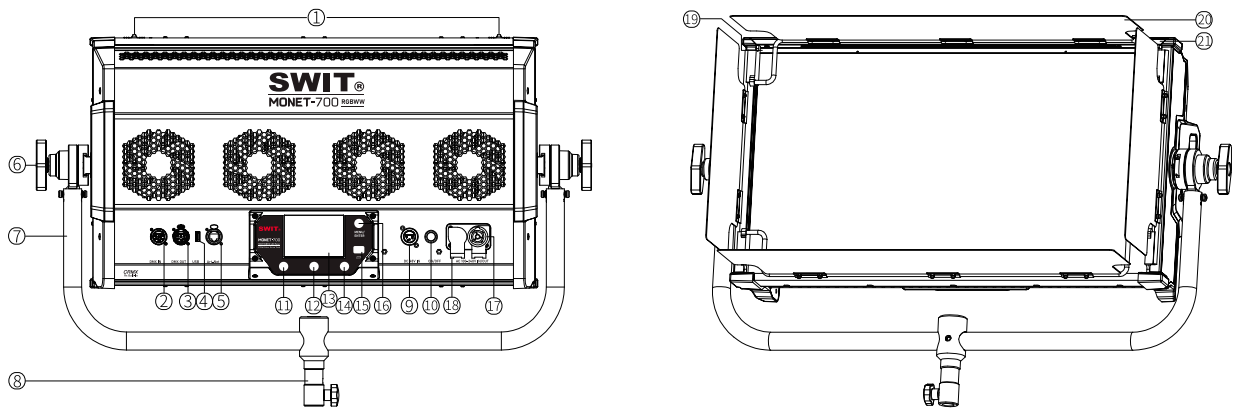


Figure 6: Monet-700 Diagram

- |                               |                               |
|-------------------------------|-------------------------------|
| 1. Knob ;                     | 12. Parameter Adjustment Knob |
| 2. DMX IN ;                   | 13. Display Screen            |
| 3. DMX OUT ;                  | 14. Parameter Adjustment Knob |
| 4. USB ;                      | 15. Return Button             |
| 5. Network Port;              | 16. MENU/ENTER Knob           |
| 6. U-bracket Knob;            | 17. AC IN&OUT                 |
| 7. U-bracket Support;         | 18. Silicone Waterproof Cover |
| 8. Stand Adapter ;            | 19. Diffusion Panel           |
| 9. DC IN;                     | 20. Barndoor                  |
| 10. Power Button ;            | 21. Flip Cover                |
| 11. Parameter Adjustment Knob |                               |

## Safety Cable Assembly

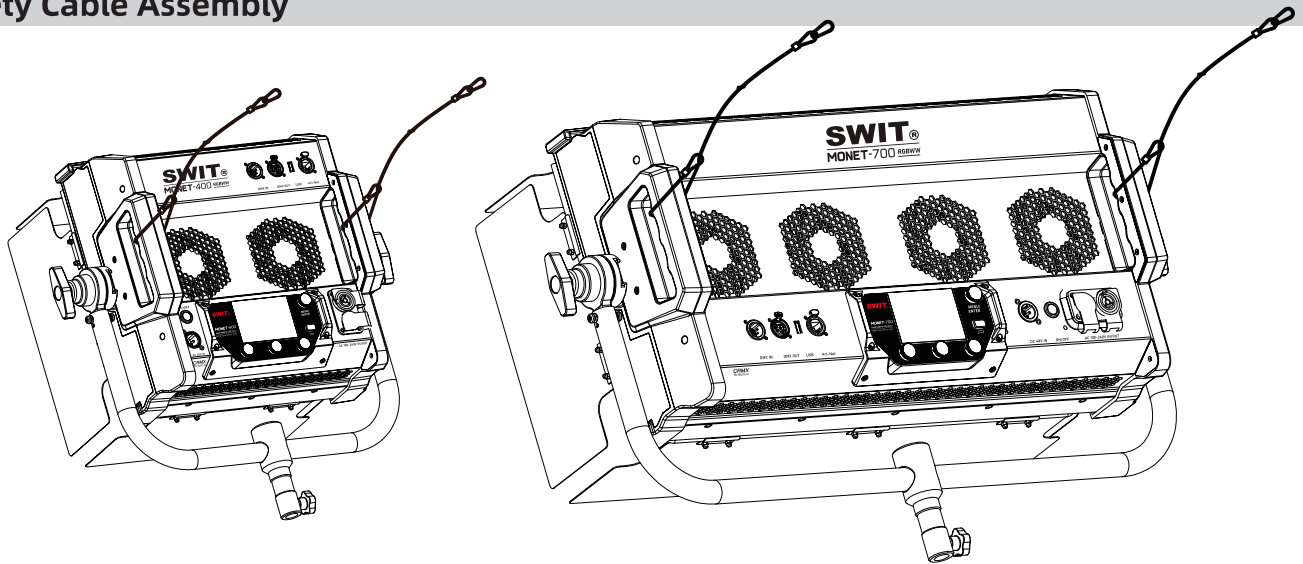


Figure 7: Safety Cable Installation Diagram

When suspending the lamp, please thread the steel safety cable (hereafter referred to as the "safety cable") through the handles on both sides of the lamp as shown in Figure 7, to establish a secure connection between the product and the suspension device. Safety Cable Usage Instructions:

1. If using a self-provided safety cable, ensure its load capacity is greater than that of the product.
2. Do not drag the safety cable across rough surfaces.
3. Always inspect the safety cable before use. Do not use a safety cable with broken strands, or one with more than 6 broken wires within one twist length. Do not use the safety cable if it shows significant wear, corrosion, deformation, or damage from heat or electric arcs.
4. The safety cable must not come into contact with any live electrical parts, hot objects, or open flames.
5. Do not connect two safety cable loops directly; instead, use a D-shaped shackle of appropriate load specification.

## Control Panel and Operation

When the lamp is operating normally:

- ▶ Users can return to the main menu by pressing the "Return" button (Figure 8, No. ⑤).
- ▶ Use the "Parameter Adjustment" knobs (Figure 8, Nos. ①/②/③) to select the desired option for parameter adjustment.
- ▶ Press the "MENU/ENTER" button (Figure 8, No. ④) to choose the operating mode and enter the desired option.

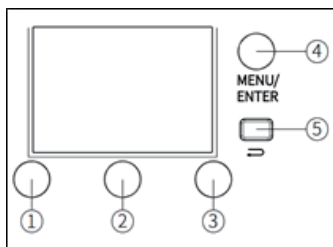


Figure 8: Control Panel Diagram

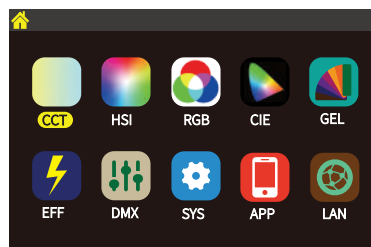


Figure 9: Main Menu

No.	Main Menu Options	No.	Main Menu Options
1	CCT	6	EFF
2	HSI	7	DMX
3	RGB	8	System
4	CIE	9	APP
5	GEL	10	LAN

### Form 1 Main Menu

#### CCT Mode

In this mode, users can adjust parameters such as "Color Temp," "G/M," and "Intensity" using the parameter adjustment knobs shown in Figure 8 (Nos. ①/②/③).

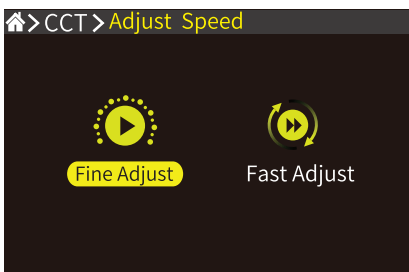


Figure 11: CCT Adjust Mode Selection

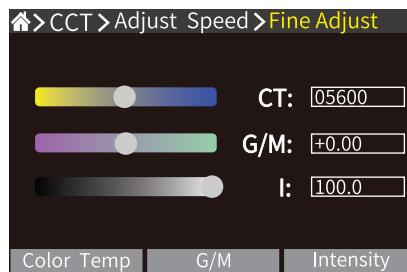


Figure 12: Fine Adjust Page

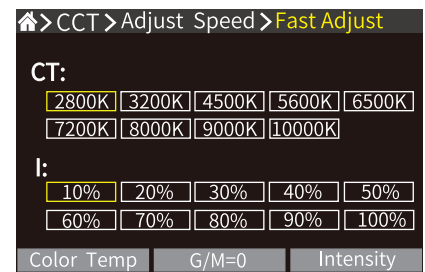


Figure 13: Fast Adjust Page

No.	Parameter	Range	Minimum Adjust Step (Fine Adjust)	Fast Adjust
1	Color Temp	2800K-10000K	50K	Typical color temperature values
2	G/M	-1.00←+0.00→+1.00	0.01	Default is 0, non-adjustable
3	Intensity	0%-100%	0.1%	10%

### Form 2 [CCT] Adjustable Parameters and Adjustment Range

#### 2. HSI Mode

In this mode, users can adjust parameters such as "Hue," "Saturation," and "Brightness" using the parameter adjustment knobs shown in Figure 8 (Nos. ①/②/③).

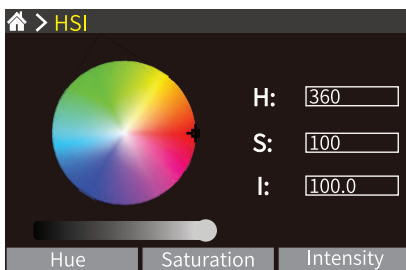


Figure 14: HSI Mode

No.	Parameter	Range	Minimum Adjust Step
1	Hue	1°-360°	1°
2	Saturation	0%-100%	1%
3	Intensity	0%-100%	0.1%

### Form 3 [HIS] Mode Adjustable Parameters and Adjust Range

### 3. RGB Mode

In this mode, users can adjust parameters such as "Red," "Green," and "Blue" using the parameter adjustment knobs shown in Figure 8 (Nos. ①/②/③).

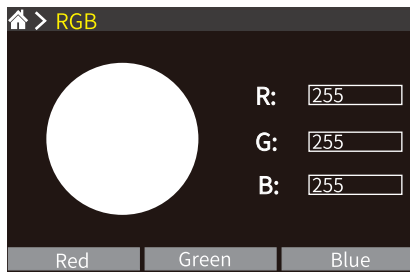


Figure 15: RGB Mode

No.	Parameter	Range	Minimum Adjust Step
1	Red	000-255	1
2	Green	000-255	1
3	Blue	000-255	1

Form 4 [RGB] Mode Adjustable Parameters and Adjust

### 4. CIE Mode

In this mode, users can adjust parameters such as "X\_axis," "Y\_axis," and "Intensity" using the parameter adjustment knobs shown in Figure 8 (Nos. ①/②/③).

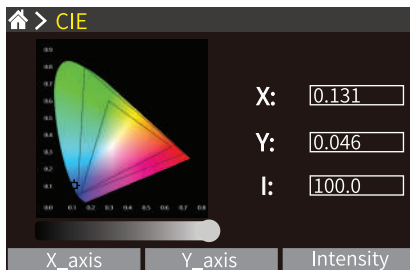


Figure 16: CIE Mode

No.	Parameter	Range	Minimum Adjust Step
1	X_axis	0.131-0.708	0.001
2	Y_axis	0.046-0.797	0.001
3	Intensity	0%-100%	0.1%

FForm 5 [CIE] Mode Adjustable Parameters and Adjust

### 5. GEL Mode

In this mode, the device has preloaded 20 commonly used gels from ROSCO and LEE, two well-known gel companies. Users can quickly and conveniently find the appropriate gel for their needs, and after selecting the gel, they can set parameters such as brightness and color temperature.

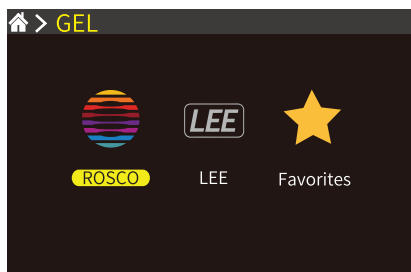


Figure 17: GEL Mode



Figure 18: ROSCO Gels



Figure 19: LEE Gels

1) "MENU/ENTER" button

- ▶ Rotate: To select from the list
- ▶ Press: To enter the ROSCO/LEE/Favorites, or to add/remove a specific gel from the favorites in the ROSCO/LEE interface.

2) Parameter Adjustment Knobs (Figure 8 Nos. ①/②/③): Used to set specific parameters.

No.	Options list	Range
1	ROSCO	1. 20 default gels, 2. Color temperature selectable at 3200K/5600K, 3. Intensity adjustment range: 0%-100%, minimum adjustment step: 0.1%
2	LEE	1. 20 default gels, 2. Color temperature selectable at 3200K/5600K, 3. Intensity adjustment range: 0%-100%, minimum adjustment step: 0.1%
3	Favorites	1. Color temperature selectable at 3200K/5600K, 2. Intensity adjustment range: 0%-100%, minimum adjustment step: 0.1%

Form 6 [GEL] Mode Adjustable Parameters and Adjust Range

## 6. EFF Mode

In this mode, the light has 12 pre-set scenes, including "COPCAR" "CANDLE", "FIREWORK", "TELEVISION", "LIGHTNING", "PARAZZI", "PARTY", "BROKEN LIGHTS", "EXPLODE", "NEON LIGHT", "FIRE" and "COLORCYCLE". Users can select a scene by rotating the "MENU/ENTER" knob (Figure 8, No. ④) and adjust parameters such as "Frequency" and "Intensity" using the parameter adjustment knobs shown in Figure 8 (Nos. ①/②/③).

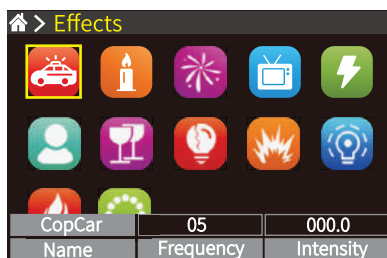


Figure 20: EFF Mode

No.	Parameter	Range	Minimum Adjust Step
1	Name	CopCar, Candlelight, etc.	/
2	Frequency	1-10	1
3	Intensity	0%-100%	0.1%

Form 7 [EFF] Mode Adjustable Parameters and Adjust Range

## 7. DMX Mode

To enable this mode, users must first turn on the "DMX On/Off" switch in the [System] menu. Then, using the parameter adjustment knobs shown in Figure 8 (Nos. ①/②/③), users can set parameters such as "DMX Address" and "DMX Operating Mode."

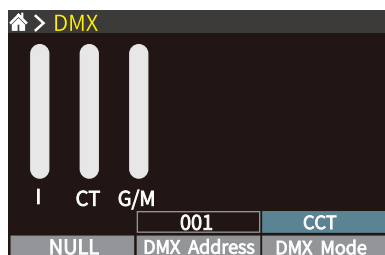


Figure 21: DMX Mode

No.	Parameter	Range	Minimum Adjust Step
1	DMX Address	001-512	001
2	DMX Mode	CCT、HIS、RGB、CIE、 CCT&HSI、CCT&CIE、 CCT&RGB、EFF、MULTI	/

Form 8 [DMX] Mode Adjustable Parameters and Adjust Range

### 7.1 DMX Address and DMX Operating Mode Settings

DMX Address and DMX Operating Mode can be set via the following two methods:

- 1) By configuring settings directly on the DMX interface as shown in Figure 21.
- 2) By navigating to the [System] menu and finding [DMX Address]/[DMX Mode] to set relevant options.

### 7.2 DMX Channel Function Definitions

Once the DMX signal output device is connected to this product and the communication address is set, it can be used normally. DMX Address Adjustment Range: 001-512. If the current address is set to N, then:

No	DMX Mode	Channel Address	Channel Definition				
1	CCT	N	Intensity Control: 0%-100%				
		N+1	Color Temperature Control: 2800K-10000K				
		N+2	Green/Magenta Adjustment: -1.00→+1.00				
2	HSI	N	Intensity Control: 0%-100%				
		N+1	Hue Control: 1°-360°				
		N+2	Saturation Control: 0%-100%				
3	RGB	N	Red Intensity Control: 0-255				
		N+1	Green Intensity Control: 0-255				
		N+2	Blue Intensity Control: 0-255				
4	CIE	N	Intensity Control: 0%-100%				
		N+1	X Coordinate Control: 0.131-0.708				
		N+2	Y Coordinate Control: 0.046-0.797				
5	CCT&HSI	N	Overall Brightness Control: 0%-100%				
		N+1	Color Temperature Control: 2800K-10000K				
		N+2	Green/Magenta Control: -1.00→+1.00				
		N+3	Light Color Switching (CCT→HSI)				
		N+4	Hue Control: 1°-360°				
		N+5	Saturation Control: 0-100%				
6	CCT&CIE	N	Overall Brightness Control: 0%-100%				
		N+1	Color Temperature Control: 2800K-10000K				
		N+2	Green/Magenta Control: -1.00→+1.00				
		N+3	Light Color Switching (CCT→CIE)				
		N+4	X Coordinate Control: 0.131-0.708				
		N+5	Y Coordinate Control: 0.046-0.797				
7	CCT&RGB	N	Overall Brightness Control: 0%-100%				
		N+1	Color Temperature Control: 2800K-10000K				
		N+2	Green/Magenta Control: -1.00→+1.00				
		N+3	Light Color Switching (CCT→RGB)				
		N+4	Red Brightness Control: 0-255				
		N+5	Green Brightness Control: 0-255				
		N+6	Blue Brightness Control: 0-255				
8	EFF	N	Overall Brightness Control: 0%-100%				
		N+1	Scene Speed Control: 1-10				
		N+2	Effect Selection (Channel value corresponds to the following functions):				
			0-16	No Light Output			
			16-35	COPCAR	36-55	CANDLE	56-75
76-95	TV		96-115	LIGHTNING	116-135	PAPARAZZI	
136-155	PARTY	156-175	BROKEN LIGHTS	176-195	EXPLODE		
196-215	NEON LIGHT	216-235	FIRE	236-255	COLORCYCLE		
9	MULTI	1	This channel function depends on CH4				
		2	This channel function depends on CH4				
		3	This channel function depends on CH4				
		4	Operating Mode Selection (Channel value corresponds to the following functions):				
		0-51	CCT				
		52-102	HSI				
		103-153	RGB				
		154-204	CIE				
		205-255	EFF				

Form 9 [DMX Mode] DMX channel definitions for each mode

## 8. System

In the main menu, rotate the MENU/ENTER knob to select "System" and press the MENU/ENTER button to enter the system settings interface. The display will show as below:

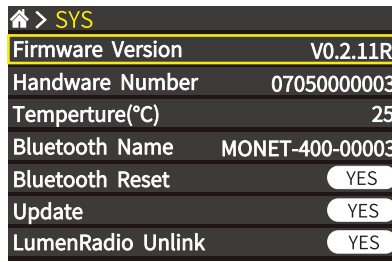


Figure 22: System Settings Interface

No	Name	Value	Description
1	Firmware Version	/	Displays the firmware version
2	Hardware Number	/	Displays the hardware number
3	Temperature (°C)	/	Displays the current LED temperature
4	Bluetooth Name	Custom	Allows the user to edit the Bluetooth name (5 letters or numbers)
5	Bluetooth Reset	Yes/No	If the app loses control or cannot find the target light, users can choose to reset the Bluetooth connection to enable the app to rediscover the light
6	Upgrade	Yes/No	Prepare the upgrade program and USB drive (USB drive file system format: FAT32), insert the USB drive into the control panel's USB port, select "Yes," and then follow the on-screen prompts to restart the light and complete the program upgrade. <b>(Note: After the upgrade, you need to perform a "System Reset")</b>
7	LumenRadio Disconnect	Yes/No	Disconnect "LumenRadio"
8	Flip ON/OFF	/	Turn the screen flip display on or off
9	DMX On/Off	/	Turn DMX control on or off
10	DMX Address	0~512	Set the DMX address
11	DMX Mode	CCT/HIS/RGB/CIE/CCT&HIS/ CCT&CIE/CCT&RGB/EFF/MULTI	Set the DMX mode
12	Fan Mode	AUTO/Low/High/Medium	Set the fan speed
13	Light Curve	Linear/Logarithmic/Exponential/S Curve	Set the dimming curve
14	Language	中文/English	Set the display language
15	EFF File Delete	NULL/Bonfire.eff/Candle.eff/ColorCycle.eff/ CopCar.eff/Explode.eff/FaultyBuld.eff/ FindMe.eff/Fireworks.eff/Lightning.eff/ Paparazzi.eff/Party.eff/Strobe.eff/TV.eff	Delete EFF files
16	Gel File Delete	NULL/Lee_Default.gel/Rose_Default.gel	Delete gel files
17	All Files Import	Yes/No	Users can use the one-click import function to import all EFF and gel files from the USB drive
18	System Reset	Yes/No	Restore factory settings

## 9. APP Acquisition



Figure 23: App Acquisition

App Name: SWIT Console

How to Get the App: 1) Android Version: Scan the QR code on the screen; 2) iOS Version: Download from the Apple Store.

## 10. LAN

Operate the "MENU/ENTER" knob to enter the network settings page, where you can set the network address when connecting the light to a local area network.

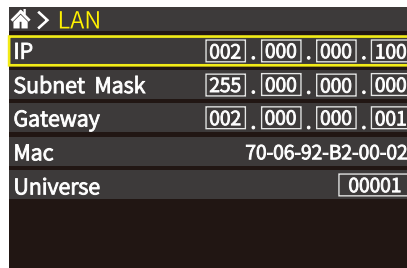


Figure 24: Lan Settings

## Packing List

No.	Item	Package Quantity	Deluxe Package Quantity
1	MONET-400/MONET-700	x1	x1
2	Power Cable	x1	x1
3	PowerCON True1	x1	x1
4	Barndoor	x1	x1
5	Diffusion Panel	x1	x1
6	Safety Cable	x2	x2
7	Softbox (Optional)	Available for separate purchase	x1
8	Honeycomb Grid (Optional)	Available for separate purchase	x1
9	Flight Case	/	x1